
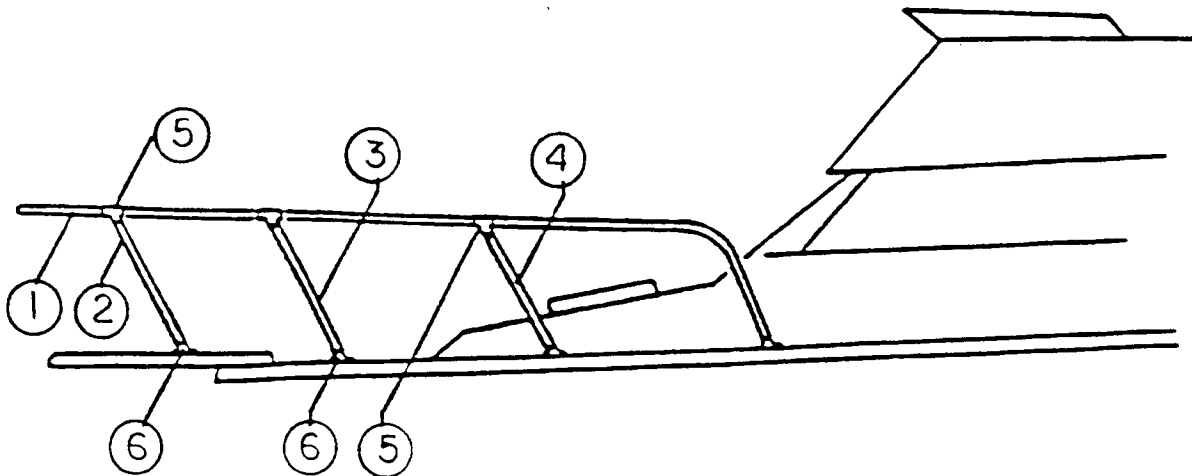


SECTION	DESCRIPTION	PAGE
1	COVERINGS (Vinyls, Fabrics, Carpet, Laminates, Gelcoat)	2
2	HULL HARDWARE (Portholes, Air Louvers, Swim Platforms, Fittings, Etc.)	3
3	DECK HARDWARE (Cleats, Deck Hatches, Rail Systems)	5
4	INTERIOR HARDWARE (Miscellaneous)	10
5	UPHOLSTERY (Cushions, Panels, Skins, Related Hardware)	11
6	TAPES AND LABELS (Diecuts, Logos, Stripes)	14
7	WINDSHIELD (And Related Parts)	15
8	ELECTRICAL (Switches, Gauges, Dash Assemblies, Panels, Lights Radio Gear, Etc.)	16
9	CANVAS  (And Related Parts)	18
10	ENGINE ACCESSORIES (Steering System, Fuel System, Cables, Shifters, Props, and Related Parts)	20
11	MODULES (Doors, Misc. Wood Components, Etc.)	26
12	PLUMBING AND FIXTURES (Hoses, Pumps, Thru-Hulls, and Related Parts)	29
13	FACTORY INSTALLED OPTIONS	32
16	MANUALS	35

ITEM NO.	PART NUMBER	PART DESCRIPTION	U/M	QTY.
	11764	BOW RAIL ASSEMBLY		
1	11764 -A	BOW RAIL - FL	EA	1
2	11764-B	FWD STANCHION	EA	2
3	11764-C	MID STANCHION	EA	2
4	11764-D	AFT STANCHION	EA	2
*	11790	HEEL BOW RAIL-2560FL	EA	1
5	50108	60 DEG RAIL TEE R & L NH UN48	EA	6
6	50106	60 DEG ROUND BASE NH UN48	EA	8
		LADDER ASSEMBLY		
*	6996	TRNSM PLTRM LADDER-CM/CD	EA	1
*	9613	15" LADDER STEP MIN72	EA	2
7	53556	LADDER C/BW/PVC STEP	EA	1
*	7990	1/4-28 X 3/16 SET SCR W SS	C	1
8	12896	90 DEG RECT BASE 1" SS	EA	4
*	31176	C/B RAIL ASSY-FL	ST	1
9	31176-A	COMMAND BRIDGE RAIL, PORT AFT	EA	1
10	31176-B	RAIL STANCHION	EA	1
		COMMAND BRIDGE RAILS		
*	54095	RAIL C/B 1993	EA	1
11	50109	90 DEG RAIL TEE NH UN48	EA	1
12	50101	90 DEG REC BASE NH UN48	EA	1
*	11797	SUPPORT-C/B DASH-2560FL	EA	1
*	50107	60 DEG REC BASE NH UN 48	EA	1
13	11798	GRAB RAIL-PORT C/B FWD-FL	EA	1
14	11772	LOWER C/B RAIL-FL	EA	1
15	50103	60 DEG HAND RAIL END NH	EA	7
16	50102	60 DEG HAND RAIL CENTER NH	EA	5
		MISC RAIL ASSEMBLIES		
*	8494	RECT BASE-30 DEG UN48	EA	1
*	50101	90 DEG REC BASE NH UN48	EA	1



ADDITIONAL DRAWINGS ON FOLLOWING PAGE

**HULL HARDWARE
SECTION 2**

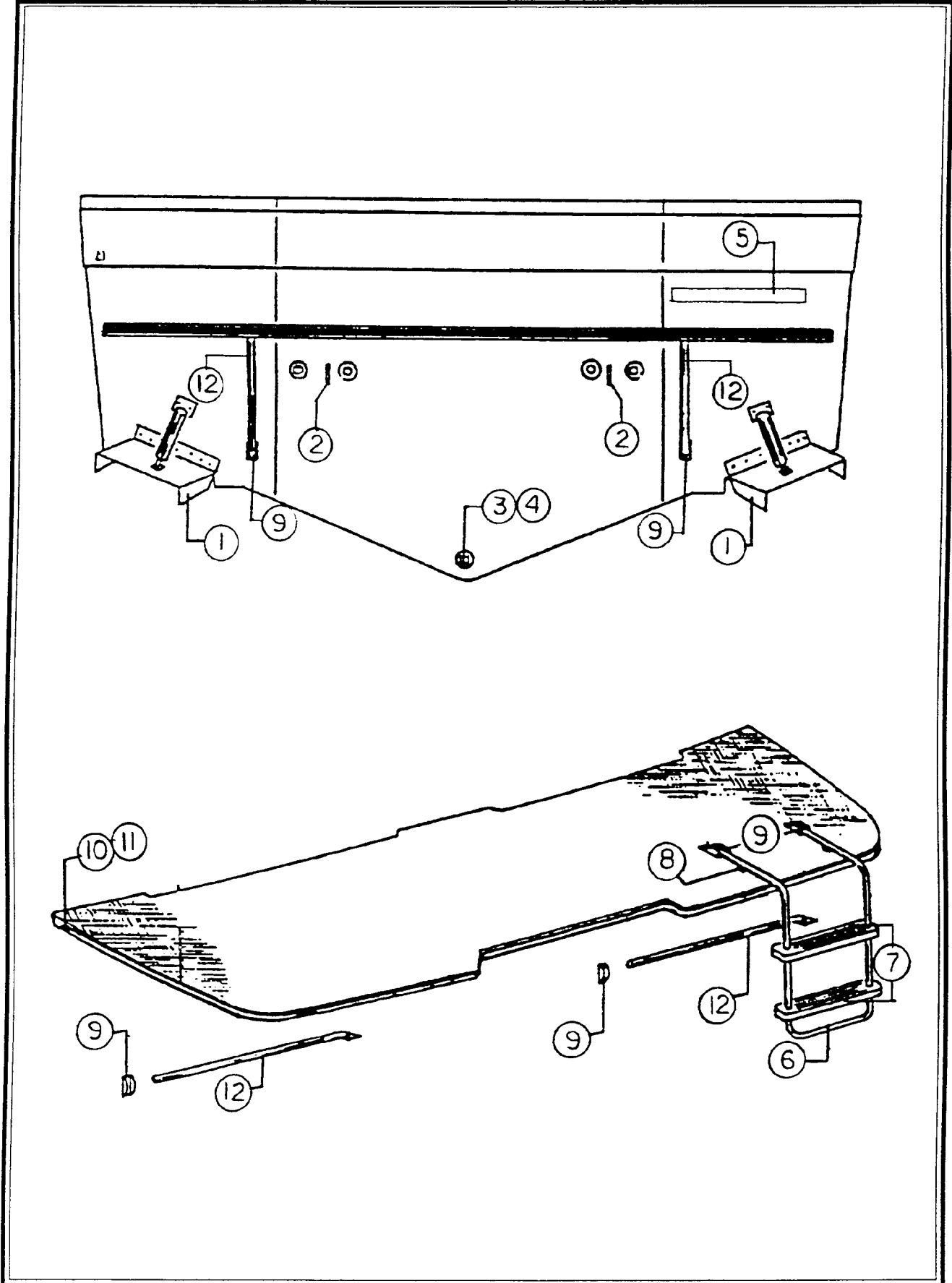


ITEM NO.	PART NUMBER	PART DESCRIPTION	U/M	QTY.
HULL BASIC HARDWARE				
*	4082	1" ACOUSTICAL FOAM UN100SF RL	LF	8
*	4354	2" WIDE ALUM TAPE UN24-216/RL	RL	1
HULL EXT HARDWARE				
1	7502	TRIM TAB 12X12 W/3" FIN	ST	1
2	4456	1/2" X 3 7/16" BOW EYE (RLED) UN100	EA	3
3	50993	GARBOARD DRAIN FLANGE	EA	1
4	50994	GARBOARD DRAIN PLUG	EA	1
*	2402	8 X 1 PFH SILICON BRONZE	EA	2
*	1375	OPENING PORT WHITE 4X14	EA	2
5	14335	GRAB RAIL - SMALL	EA	1
SWIM STEP/PLATFORM				
6	6996	TRNSM PLTFRM LADDER	EA	1
7	9613	15" LADDER STEP	EA	2
8	K-5168	BUMPER	EA	4
9	2353	PIVOT BRACKET	EA	4
10	9225	GUNNEL END CAP PORT	EA	1
11	9226	GUNNEL END CAP STBD	EA	1
*	50594	ETCH GUNWALE 12' NARROW	EA	1
*	52174	GUNNEL RUBBER DREAM WHITE	FT	12
*	12293	1" GRAY NYLON WEBBING	YD	1
12	11810	BRACE-29.25" SWIM PLATFORM	EA	2
*	10406	SWIM STEP PLATFORM	EA	1
*	53827	SWIM STEP WARNING LABEL	EA	1

* NOT SHOWN

port light screens
 Black = 1376A
 white = 1375A

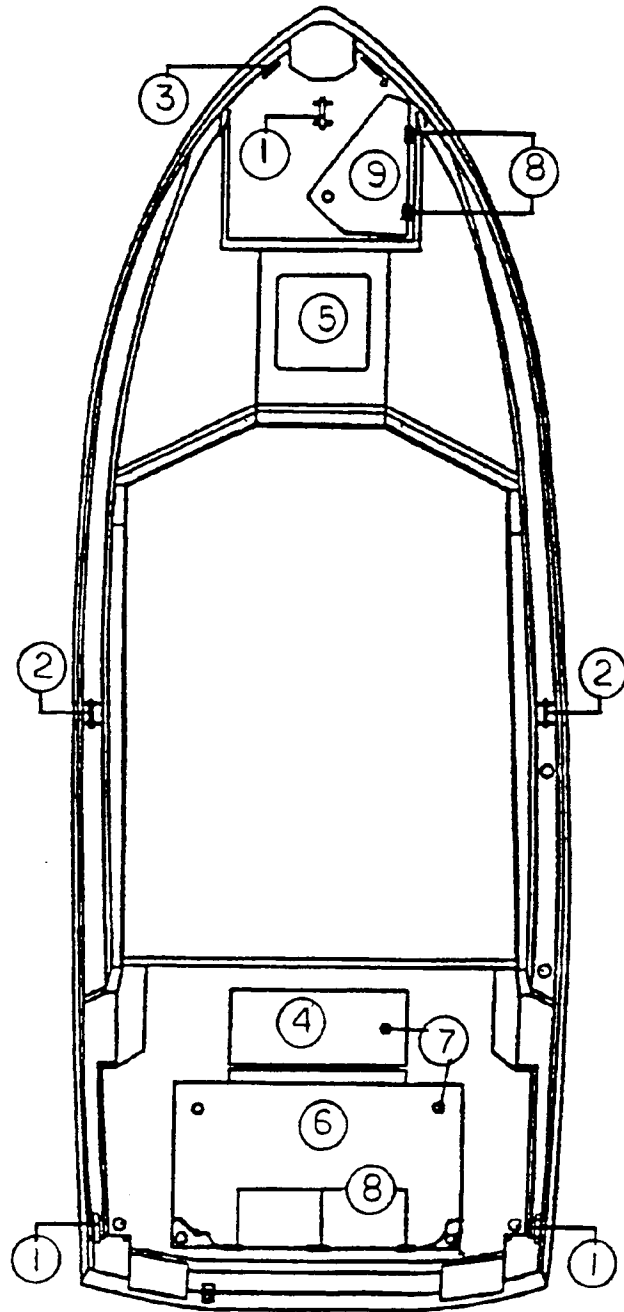
DRAWING ON FOLLOWING PAGE



ITEM NO.	PART NUMBER	PART DESCRIPTION	U/M	QTY.
DECK HARDWARE				
1	7769	CLEAT 10" 4-HOLE YACHT UN10	EA	3
2	7821	CLEAT 8" 4-HOLE CHROME UN25	EA	2
3	7814	CHROME CHOCK UN50	PR	1
4	83457	FISHWELL HATCH	EA	1
5	2554	BLACK PLEX HATCH W/RING	EA	1
6	83458	ENGINE HATCH	EA	1
7	3031	ENG HATCH CVR LIFT HANDLE	EA	4
8	1477	HINGE	EA	5
*	52179	UTILITY BOX	EA	1
*	52077	FISH WELL HANDLES	EA	1
*	53664	DECK PLATE-6" DREAM WHITE	EA	1
9	83459	ROPE LOCKER HATCH	EA	1
*	11726	GAS SPRING F/HATCH ASSIST (55#)	EA	2
*	11889	HATCH ASSIST BASE STUD MT	EA	2
*	11888	STBD HATCH ASSIST BRACKET	EA	1
*	11887	PORT HATCH ASSIST BRACKET	EA	1
*	32627	5/8" OD X 17/64" ID X 1/2" SPACER	EA	12
*	2552	CHROME FENDOR HOOK	EA	2
*	2816-1	CHROME EYE STRAP	EA	2
*	2357	#8 JACK CHAIN UN50	FT	4
*	51733	CURTAIN TRACK COVER	EA	1
*	7528	EDGE 13/16" 12' UN480 410220	FT	2
*	53999	TRIM, BULKHEAD (BLACK)	EA	1
COMMAND BRIDGE HARDWARE				
*	1937	EDGE 7/16" SCR 12' UN144 360515	FT	6
*	7334-A	ALUM CUPHOLDER-ANODIZED	EA	2
*	12461-A	TWIN TRUMPET HORNS ELEC SS	EA	1
*	2379	J-TRACK 1-1/8" 12' UN144	FT	4
*	704	BOOT VINYL BLACK UN50	EA	1
*	1880	GUTTER W/LIP 12' UN144 360390	FT	30
*	11503	WIRE COVER-BLACK	EA	1
*	54000	SPEAKER COVER, STBD BLACK	EA	1
*	54001	SPEAKER COVER, PORT BLACK	EA	1
*	54124	SPEAKER TRIM, PORT BLACK	EA	1
*	54125	SPEAKER TRIM, STBD BLACK	EA	1
GUNNEL				
*	50597	ETCH GUNWALE 10' WIDE	EA	5
*	50598	ETCH GUNWALE 12' WIDE	EA	1
*	53143	3/4" GUNNEL RUBBER DREAM WHITE	FT	65
*	35236	SNAP CAP-PUTTY	EA	2
*	13169	COUNTERSINK WASHER - CLEAR	EA	2

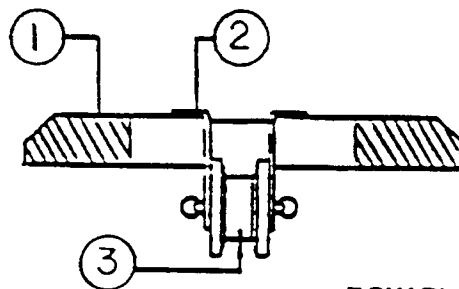
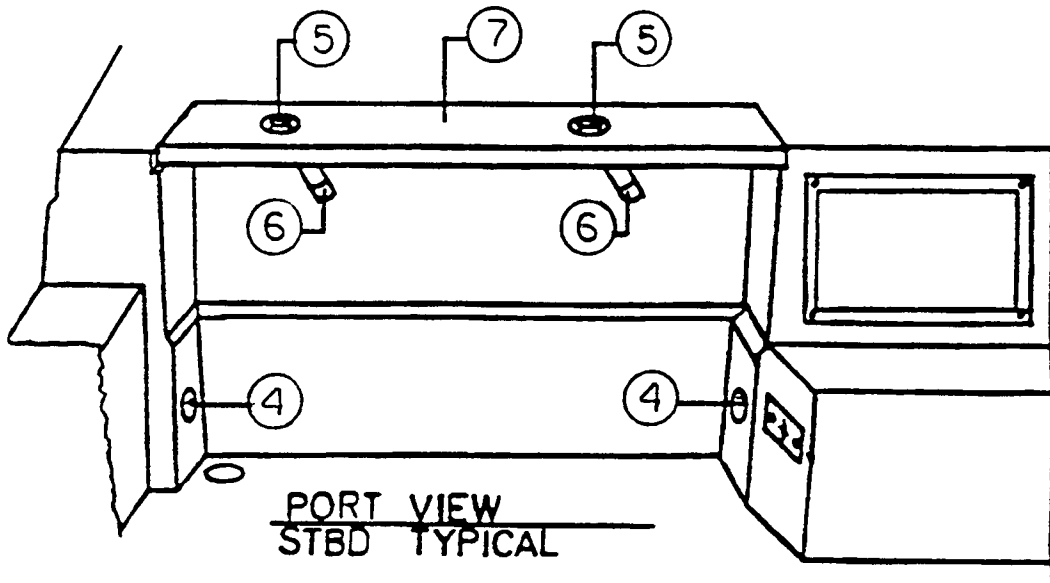
* NOT SHOWN

DRAWING ON FOLLOWING PAGE



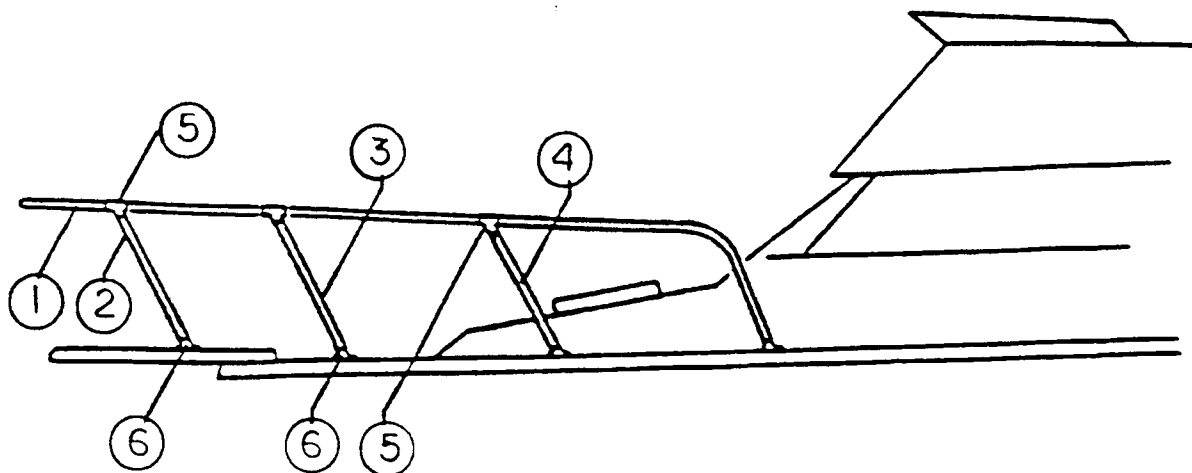
ITEM NO.	PART NUMBER	PART DESCRIPTION	U/M	QTY.
1	53199	BOW PLATFORM BOW PLATFORM	EA	1
2	7815	S.S. ROLLER SUPPORT MNT	EA	2
*	1602	1/4-20 X 2 1/2 PRH SS	EA	6
3	54546	NYLON ROLL W/PIN F/YACHTS	EA	1
*	54378	GUARD, BOW PLAT	FT	3
*	316	BOW LITE MICRO MINI M50	EA	1
4	2026	CUP HOLDER BLACK-UN125	EA	6
5	9625	FISH ROD HLDR-STNLSS BLK 20	EA	4
6	12675	FISH POLE HOLDER END CAP-GRAY	EA	4
*	36180-S	SIDE STEP CHANNEL STBD	EA	1
7	36180-P	SIDE STEP CHANNEL PORT	EA	1

* NOT SHOWN

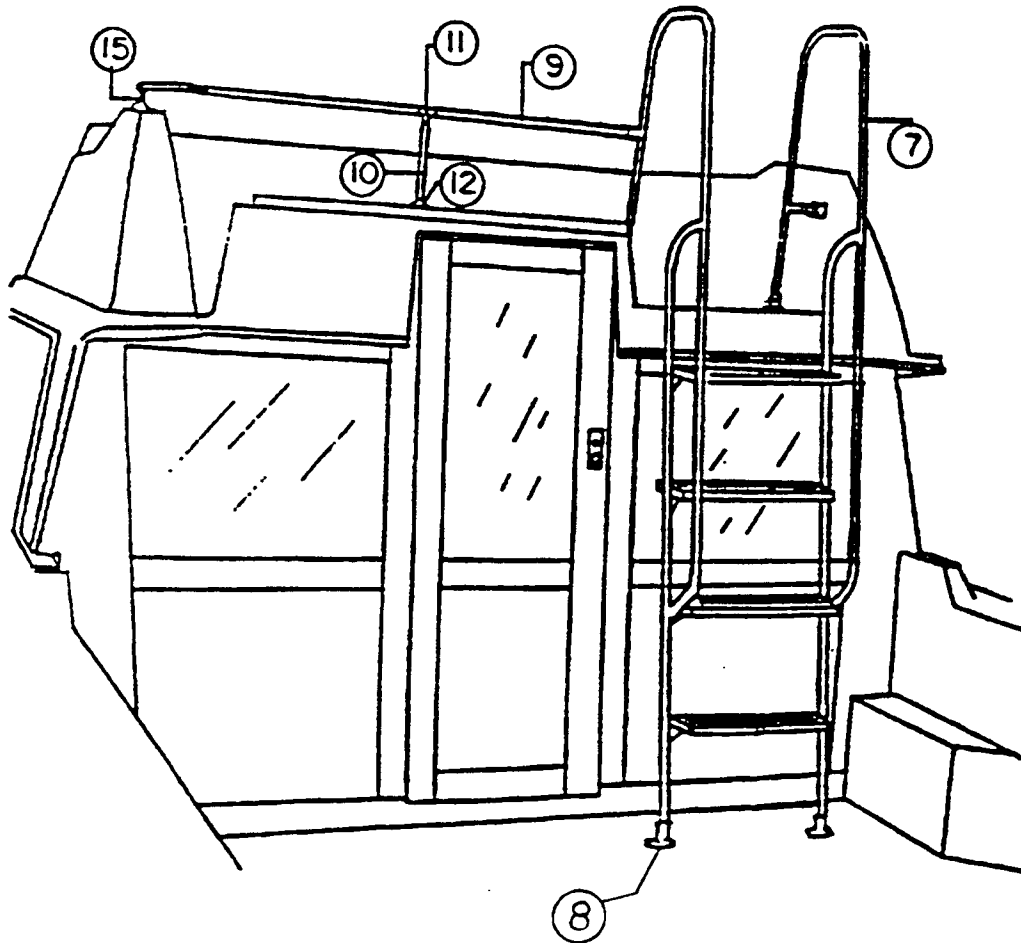
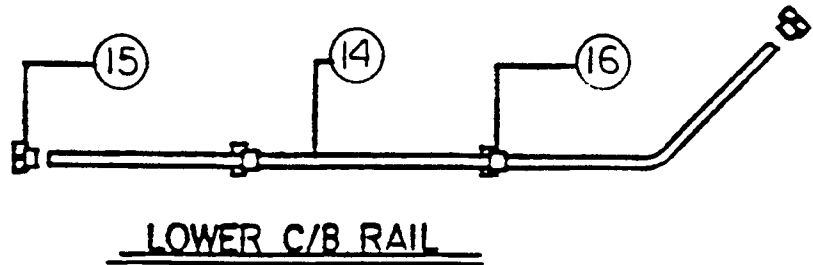
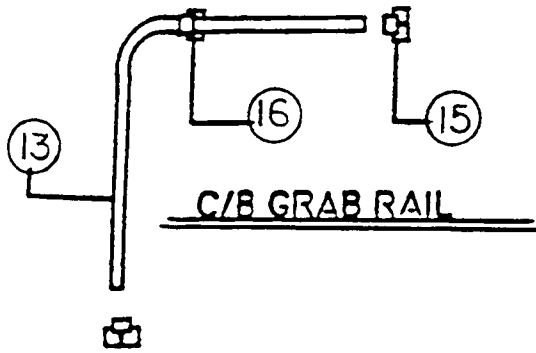


BOW PLATFORM ASSEMBLY

ITEM NO.	PART NUMBER	PART DESCRIPTION	U/M	QTY.
	11764	BOW RAIL ASSEMBLY		
1	11764 -A	BOW RAIL - FL	EA	1
2	11764-B	FWD STANCHION	EA	2
3	11764-C	MID STANCHION	EA	2
4	11764-D	AFT STANCHION	EA	2
*	11790	HEEL BOW RAIL-2560FL	EA	1
5	50108	60 DEG RAIL TEE R & L NH UN48	EA	6
6	50106	60 DEG ROUND BASE NH UN48	EA	8
		LADDER ASSEMBLY		
*	6996	TRNSM PLTFRM LADDER-CM/CD	EA	1
*	9613	15" LADDER STEP MIN72	EA	2
7	53556	LADDER C/BW/PVC STEP	EA	1
*	7990	1/4-28 X 3/16 SET SCRW SS	C	1
8	12896	90 DEG RECT BASE 1" SS	EA	4
*	31176	C/B RAIL ASSY-FL	ST	1
9	31176-A	COMMAND BRIDGE RAIL, PORT AFT	EA	1
10	31176-B	RAIL STANCHION	EA	1
		COMMAND BRIDGE RAILS		
*	54095	RAIL C/B 1993	EA	1
11	50109	90 DEG RAIL TEE NH UN48	EA	1
12	50101	90 DEG REC BASE NH UN48	EA	1
*	11797	SUPPORT-C/B DASH-2560FL	EA	1
*	50107	60 DEG REC BASE NH UN 48	EA	1
13	11798	GRAB RAIL-PORT C/B FWD-FL	EA	1
14	11772	LOWER C/B RAIL-FL	EA	1
15	50103	60 DEG HAND RAIL END NH	EA	7
16	50102	60 DEG HAND RAIL CENTER NH	EA	5
		MISC RAIL ASSEMBLIES		
*	8494	RECT BASE-30 DEG UN48	EA	1
*	50101	90 DEG REC BASE NH UN48	EA	1



ADDITIONAL DRAWINGS ON FOLLOWING PAGE



INTERIOR HARDWARE
SECTION 4



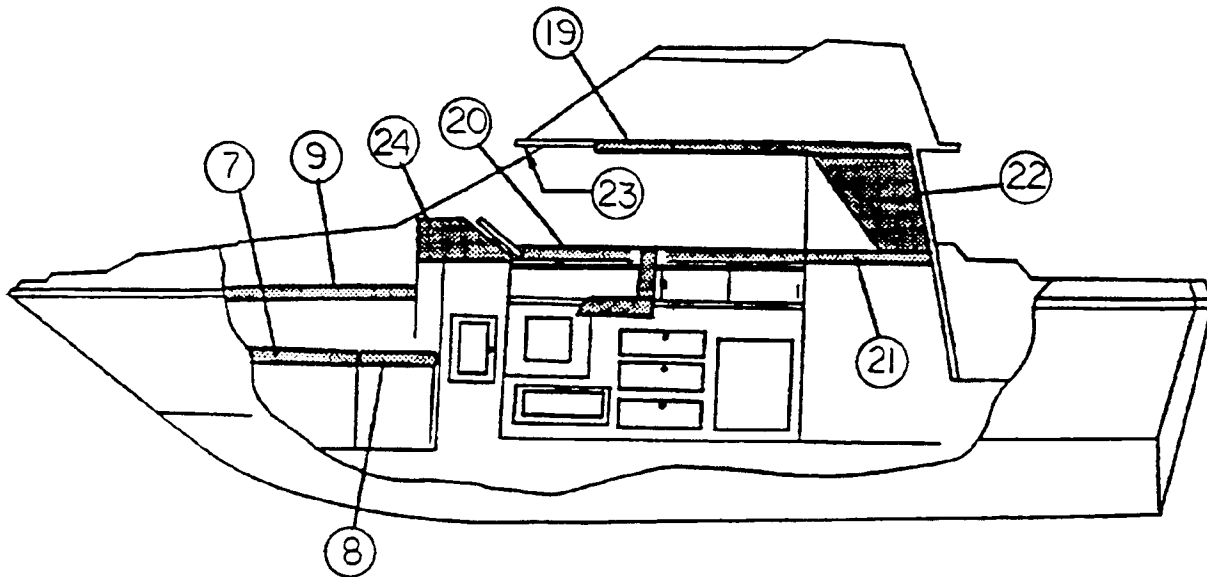
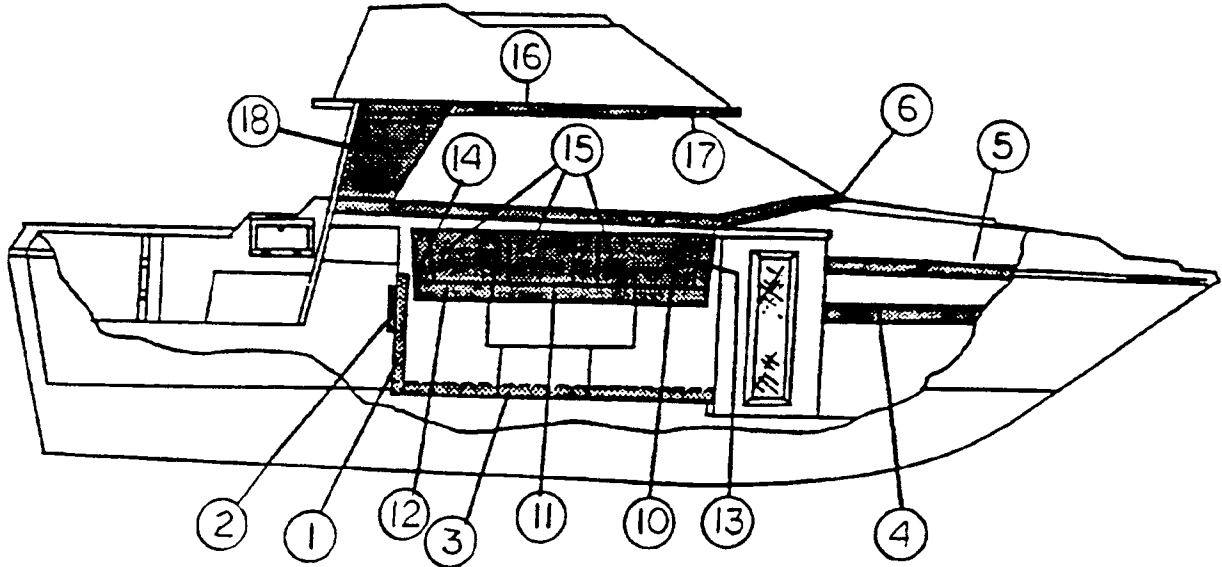
ITEM NO.	PART NUMBER	PART DESCRIPTION	U/M	QTY.
HULL INT ASSY HARDWARE				
*	12016	FLARE-UP SHIELD-FL	EA	1
*	11570	WIPER MOTOR COVER-INJ MLD 87 UN55	EA	1
*	13154	ALCOHOL ELECTRIC STOVE W/WOOD TOP	EA	1
*	1787	REFRIGERATOR	EA	1
*	36000	STRESS RELIEF FITTING UN100	EA	1
*	36192	LOCK NUT F/36000 UN100	EA	1
*	332	HINGE 1/2 BUTTFLY	EA	1
*	35842	RECESSED TOILET PAPER HOLDER	EA	1
*	35948	GUTTER TRIM VINYL	FT	14
*	#W1323-35	CLOSET POLE SOCKETS-MIN500	ST	1
TABLE ASSEMBLY				
*	81400	DINETTE TABLE ASSY	EA	1
*	50043	5/8" LAM PLY-BLUE NEBULA	SF	5
*	12385	UPPER SEA RAIL-TEAK	FT	8
*	39730	TABLE BASE W/STUD	EA	1
*	39729	30" TABLE LEG W/THREADS & FLANGE	EA	1
*	13156	ROUND TABLE SUPPORT UN30	EA	1
*	11771	SUPPORT-DECK TO TABLE-FL	EA	1
*	1199 #1	HOOK DOOR SHORT M 50	EA	2
NOT SHOWN				

ITEM NO.	PART NUMBER	PART DESCRIPTION	U/M	QTY.
AFT BERTH ASSY				
1	83462	AFT BERTH ENTRY PAD	EA	1
2	83463	AFT BERTH POUCH	EA	1
*	83463-1	AFT BERTH POUCH SKIN	EA	1
3	83464	AFT BERTH MATTRESS	EA	1
*	83464-1	AFT BERTH MATTRESS SKIN	EA	1
*	83465	AFT BERTH FILLER MATTRESS	EA	1
*	83465-1	AFT BERTH FILLER MATTRESS SKIN	EA	1
V-BERTH/BOW UPH ASSY				
4	83466	PORT V-BERTH CUSHION	EA	1
*	83466-1	PORT V-BERTH CUSHION SKIN	EA	1
5	83467	PORT V-BERTH BOLSTER PAD	EA	1
6	83468	V-BERTH HEADER PAD	EA	1
7	83469	STBD V-BERTH CUSHION, FWD	EA	1
*	83469-1	STBD V-BERTH CUSHION SKIN	EA	1
8	83470	STBD V-BERTH CUSHION, AFT	EA	1
*	83470-1	STBD V-BERTH CUSHION, AFT SKIN	EA	1
9	83471	V-BERTH BOLSTER PAD, STBD	EA	1
CABIN LOUNGE/SETTE ASSYS				
10	83472	DINETTE SEAT CUSHION, FWD	EA	1
*	83472-1	DINETTE SEAT CUSHION SKIN	EA	1
11	83473	DINETTE SEAT CUSHION, MID	EA	1
*	83473-1	DINETTE SEAT CUSHION SKIN	EA	1
12	83474	DINETTE SEAT CUSHION, AFT	EA	1
*	83474-1	DINETTE SEAT CUSHION SKIN	EA	1
13	83475	DINETTE SEAT BACK CUSHION, FWD/AFT/OUTBD	EA	7
*	83475-1	DINETTE SEAT BACK CUSHION SKIN	EA	7
*	83476	DINETTE FILLER CUSHION	EA	1
*	83476-1	DINETTE FILLER CUSHION SKIN	EA	1
16	83477	DINETTE VALANCE PAD, PORT	EA	1
17	83478	WINDSHIELD VISOR PAD	EA	1
18	83479	DINETTE TRAIL PAD, PORT	EA	1
*	83480	FWD VALANCE PAD (BOTTOM OF WNDSSH)	EA	1
	83481	HELM SEAT COMPLETE ASSEMBLY		
*	83482	HELM SEAT BACK	EA	1
*	83482-1	HELM SEAT BACK, SKIN	EA	1
*	83483	HELM SEAT CUSHION	EA	1
*	83483-1	HELM SEAT CUSHION SKIN	EA	1
*	35496	359 BASS HINGE W/REVERSE BEND	PR	1
19	83484	STBD VALANCE PAD	EA	1
20	83485	STBD TRAIL PAD	EA	1
21	83486	HEAD TRAIL PAD	EA	1
22	83488	HEAD WING PAD	EA	1
*	83487	HEAD LOWER PAD	EA	1
23	83497	BRIDGE VISOR	EA	1
24	83489	LOWER HELM DASH PAD	EA	1

* NOT SHOWN

NO LONGER AVAILABLE

**PLEASE CONTACT:
CANVAS PLUS
(360) 435-0932**

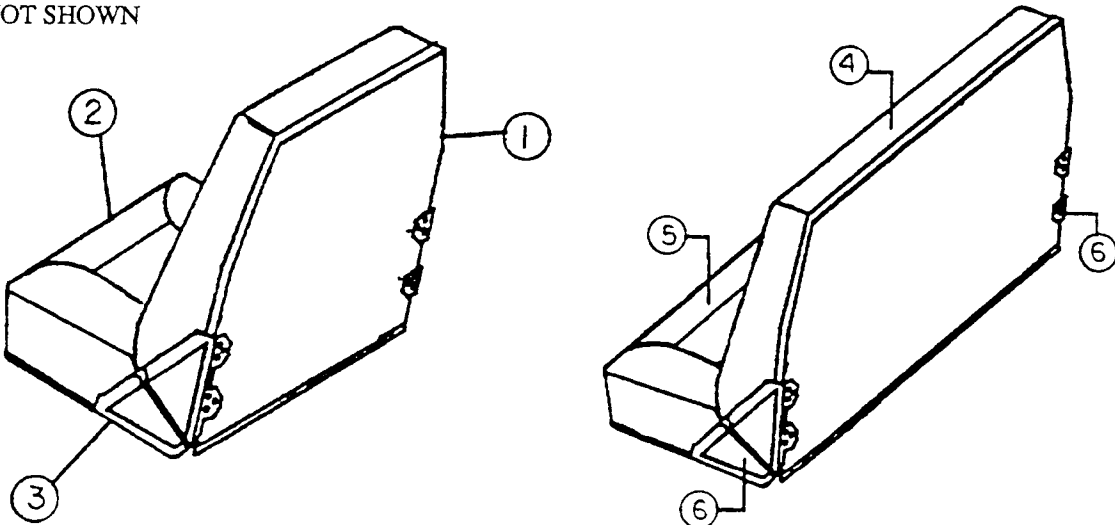


NO LONGER AVAILABLE

**PLEASE CONTACT:
CANVAS PLUS
(360) 435-0932**

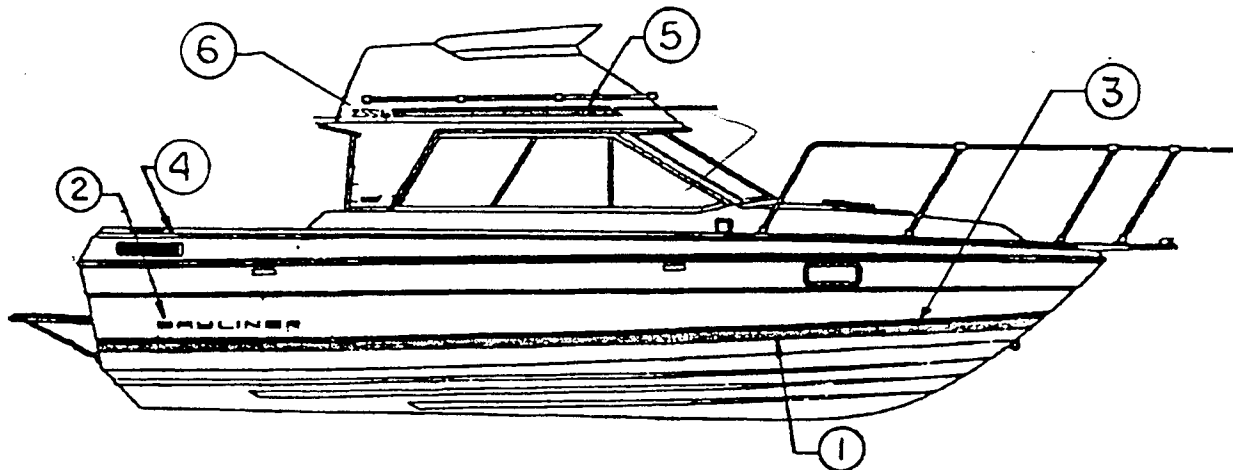
ITEM NO.	PART NUMBER	PART DESCRIPTION	U/M	QTY.
	83490	C/B SEAT ASSY		
1	83491	C/B SEAT BACK	EA	1
*	83491-1	C/B SEAT BACK SKIN	EA	1
2	83492	C/B SEAT CUSHION	EA	1
*	83492-1	C/B SEAT CUSHION SKIN	EA	1
3	1741	HINGE-CAST ALUM SEAT	EA	1
*	K-5168	BUMPER	EA	2
*	1132	TAKE APART HINGE	EA	2
*	1199 #1	SHORT HOOK	EA	1
	83493	C/B HELM SEAT COMPLETE ASSY		
4	83494	C/B HELM SEAT BACK	EA	1
*	83494-1	C/B HELM SEAT BACK SKIN	EA	1
5	83495	C/B HELM SEAT CUSHION	EA	1
*	83495-1	C/B HELM SEAT CUSHION SKIN	EA	1
6	31745	BRACKET-CAST ALUM SEAT	EA	2
*	K-5168	BUMPER	EA	2
*	334	FLAT HINGE, 3/4"	EA	1
*	53105	BOAT INT. CURTAIN/PILLOW ASSY'S	EA	1
*	53105-A	PORT SIDE	EA	1
*	53105-B	STBD SIDE	EA	1
*	53105-C	PORT BULKHEAD	EA	1
*	53105-D	STBD BULKHEAD	EA	1
*	53105-E	ENTRY DOOR	EA	1
*	53105-F	SHOWER DOOR CURTAIN	EA	1
*	53105-G	SHOWER WINDOW CURTAIN	EA	1
*	53105-H	PORT V-BERTH	EA	1
*	53105-I	STBD V-BERTH	EA	1
*	53105-J	AFT BERTH	EA	1
*	53105-P	CABIN THROW PILLOW	EA	2
*	50632	INTERIOR CURTAINS/PILLOW ASSY FL92	EA	1
*	11536	I-BEAM CURTN.TRK.-600 MIN SHIP	FT	28
*	11539	CEILING BRACKET-CURTAIN	EA	20
*	11538	END STOP-CURTAIN-PLTD STL	EA	12
*	11537	CURTAIN NYLON WHEEL CARRY	EA	90

* NOT SHOWN



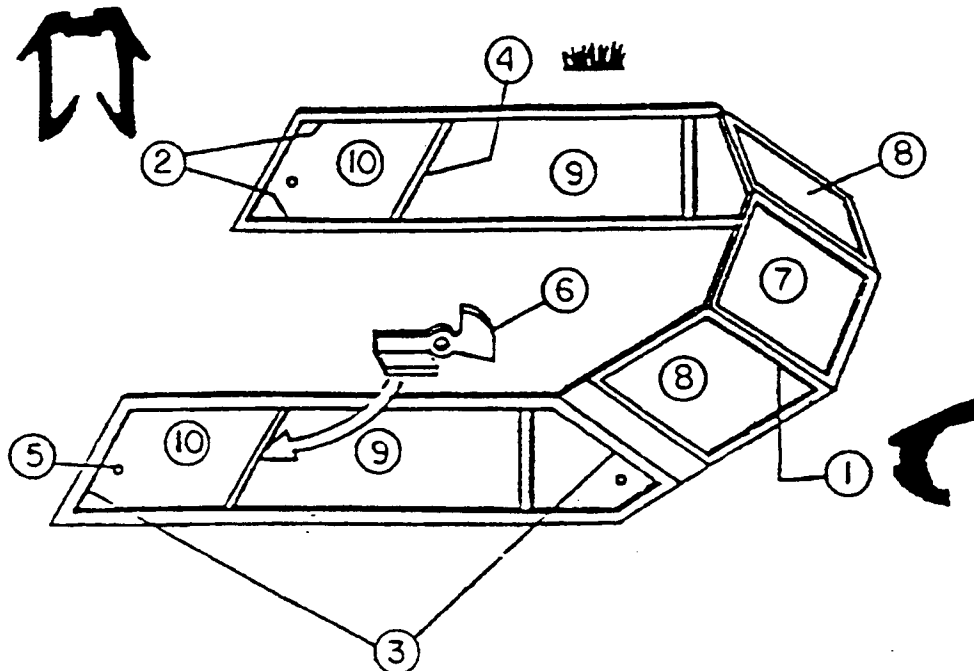
ITEM NO.	PART NUMBER	PART DESCRIPTION	U/M	QTY.
HULL INT LABELS				
*	636	TRIM TAB INS LABEL	EA	1
*	3885-A	BATT INSTALLATION/COMPL LABEL	EA	1
*	OIL DEC	OIL DISCHARGE DECAL	EA	1
*	48034	USM SUBASSY QUALITY DECAL	EA	1
HULL EXT TAPES & LABELS				
1	53590	CIERA WATERLINE TAPE	FT	60
2	53593	BAYLINER LOGO (CIERA)	EA	2
*	8033	MARINE CORE LABEL	EA	1
*	10848	NMMA/CG LABEL 2" DIAMETER	EA	1
3	53591	HULL TAPE	FT	60
*	35861	5 YEAR HULL STICKER	EA	1
*	50578	GELCOAT CLEAN UP TAPE	RL	1
*	11024	SLING LABEL UN5/PK	EA	4
DECK TAPES & LABELS				
4	53592	DECK TAPE	FT	60
*	51510	300 MAX. H.P. LABEL	EA	1
C/B TAPES & LABELS				
*	636	TRIM TAB INS LABEL	EA	1
*	736	MAX BRIDGE PER CAP #500	EA	1
*	6336	LABEL SEQU. LIFT HULL	EA	2
5	53592	DECK STRIPE	FT	14
6	53595	2556 LOGO	EA	2

* NOT SHOWN



ITEM NO.	PART NUMBER	PART DESCRIPTION	U/M	QTY.
WINDSCREEN & FASTENERS				
*	11422-P	PORT WINDSCREEN-FL	EA	1
*	11422-S	STBD WINDSCREEN-FL	EA	1
*	11422-B	WINDSCREEN BRACE-FL N/C	EA	1
*	5819	RUBR GRMT F/KNOB M25000	EA	21
WINDSHIELD SYSTEM				
*	35890	W/S SYS-FL 90 1/2	ST	1
WINDOW SCREEN ASSY				
*	7005	SCREEN SPLINE .155	FT	15
*	928	SCRN 100X24 18X16.011	LF	6
*	9412	1/16X3/8X200' 2-SIDE	FT	33
BOTTOM BAR RAW MATERIAL				
1	9109	YACHT FRONT PANEL VINYL 70 DUR	FT	32
*	53850	ROUND BUTYL	FT	32
2	5740	DEEP STAN-PRO FLOX SNG	FT	25
3	5741	SHALLOW STAN PRO FLOX SNG	FT	9
4	5743	AMESBURY PILE	FT	7
5	5744	SLIDER KNOB ASSY.	EA	4
6	5745	SLIDER LOCK ASSY	EA	2
7	35890-01	CENTER PANEL GLASS-CLEAR	EA	1
8	35890-02	PORT & STBD FRONT PANEL GLASS	EA	2
9	8591-3	P&S FWD WING GLASS-FL	EA	2
10	8591-4	P&S AFT WING GLASS-CM	EA	2
*	8462	.194X.625X.125 BLK WASHER	EA	22
*	8462	.194X.625X.125 BLK WASHER	EA	4
*	5819	RUBR GRMT F/KNOB M25000	EA	4
*	5744-R	9/16" O-RING	EA	4

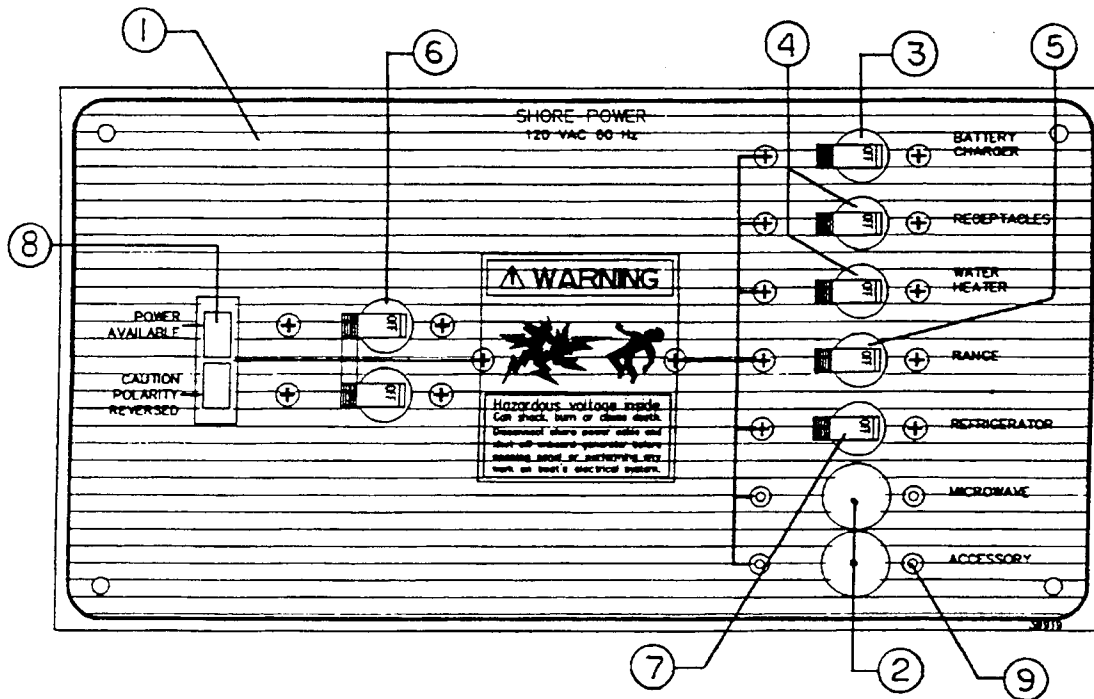
* NOT SHOWN



ITEM NO.	PART NUMBER	PART DESCRIPTION	U/M	QTY.
*	A50135	PANEL ASSY, MACERATOR	EA	1
*	10894	SWITCH SPST-OFF(ON) (HORN)	EA	2
*	50135	PANEL BLANK, MACERATOR	EA	1
INTERIOR LIGHTS				
*	39753	4" SURF MT WHT PLAS W/RCKR SWITCH	EA	6
*	53918	READER LIGHT, WHITE	EA	1
ELECTRICAL HARDWARE				
*	1705	WEATHER PROOF RECEPTACLE COVER UN1	EA	1
*	51512	GROUND FAULT RECEPTACLE	EA	1
*	51628	WALL BOX F/GFI (FIBRE)	EA	1
*	9015	COVER PLATE F/GFR	EA	1
*	51743	8 AMP BATTERY CHARGER 110/220V	EA	1
*	274	POWER INLET 30AMP UN10	EA	1
*	275	CORD W/RING 50'(30 AMP)	EA	1
*	13124	ZINC SAVER 100 AMP	EA	1
EXTERIOR LIGHTS				
*	31310	LIGHT STEP BLK UN100	EA	3
C/B CONSOLE & INSTRUMENTS				
*	38200-A	COMPASS FLUSH MOUNT W/PLUG 24MIN	EA	1
*	4938	ROCKER SWITCH	EA	1
NAV & ANCHOR LIGHTS				
*	11393	ANCHOR LIGHT W/BASE UN50	EA	1
*	11503	WIRE COVER	EA	1
*	13187	LIGHT POLE STORAGE CLIP UN50	EA	1
*	9460	TRANSOM LIGHT UN20	EA	1
AUDIO VISUAL EQUIPMENT				
*	12162	STEREO SPEAKERS	PR	2
*	12403	DIGITAL STEREO/CASSETTE-UN6	EA	1
COMMUNICATION EQUIPMENT				
*	9683	RATCHET MOUNT FOR ANTENNA	EA	1
*	11296	ANTENNA-8' VHF	EA	1
*	36766	ECLIPSE VHF RADIO	EA	1
*	36766-H	VHF RADIO HARNESS N/C	EA	1
*	36766-B	VHF RADIO BRACKET N/C	EA	1
DEPTH SOUNDER SYSTEM				
*	34165-A	TRNSDUCR F/HBL UNIT-ANGLED HOUSING	EA	1
*	33675	DEPTH SOUNDER (BRKT HD)HMMGBIRD	EA	1
*	33675-H	HARNESS F/33675/33676 DPTH SNDR	EA	1
*	33675-B	BRACKET F/33675 DEPTH SOUNDER	EA	1
*	35227	HOLE COVER FOR TRANSDUCER CABLE	EA	1
WIPER ASSEMBLY				
*	1021	WIPER MOTOR—CASE PACK 100EA	EA	1
*	11517	WINDSHIELD WIPER SHIM-FL	EA	2
*	1363-A	WIPER BLADE H/D 16"	EA	1
*	1364-A	WIPER ARM H/D 12.5"	EA	1
*	NOT SHOWN			

ITEM NO.	PART NUMBER	PART DESCRIPTION	U/M	QTY.
BOAT ELEC WIRING				
*	D39919	PANEL ASSY, 110 DOCKSIDE CIRCUIT BREAKER PANEL	EA	1
1	39919	PANEL, BLANK	EA	1
2	2883	5/8" DOMED HOLE PLUG	EA	2
3	10740	5 AMP BRKR RED HNDL	EA	1
4	10742	15 AMP BRKR RED HNDL	EA	2
5	10743	20 AMP BRKR RED HNDL	EA	1
6	10823	30 AMP DBL POLE BRKR-RED	EA	1
7	11520	2 AMP BREAKER-RED	EA	1
8	11521	POLARITY LIGHT	EA	1
*	11527	BUSS BAR 3 1/2" 5 HOLE	EA	1
*	11531	6-32 X 1/4 PRH BLACK OX/SS	EA	9
9	12869	RIVET BLACK PLS #231-100841-01-2063	EA	4
*	33732	BUSS BAR ASSY 20 PRONG	EA	1
*	13168	SNAP CAP - BLACK	EA	4
*	13169	COUNTERSINK WASHER	EA	4

* NOT SHOWN



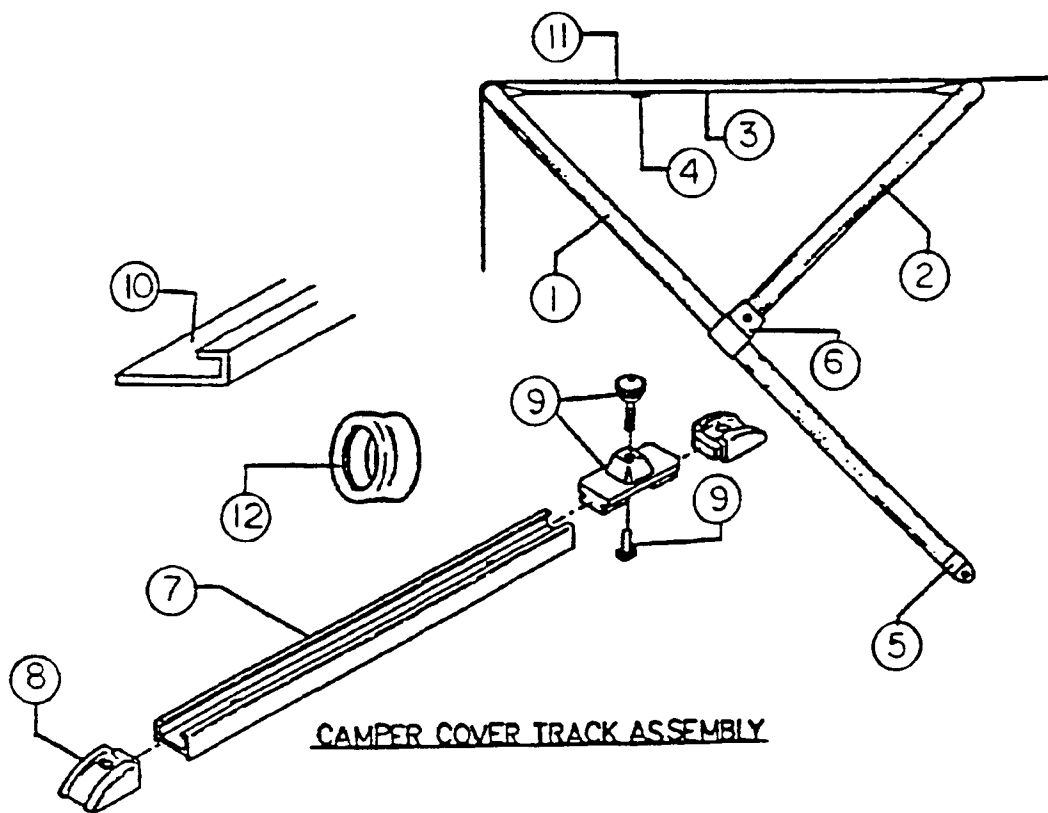


2556 FL 1993

CANVAS
SECTION 9



ITEM NO.	PART NUMBER	PART DESCRIPTION	U/M	QTY.
		CANVAS ASSEMBLY (DREAM WHITE)		
*	50231	CAMPER BOW ASSY	EA	1
		TOP CANVAS BOWS		
1	50231-A	#1 MAIN BOW	EA	1
2	50231-B	#2 BOW	EA	1
3	50231-C	TOP STRAP	EA	2
*	12293	1" GRAY NYLON WEBBING	FT	31
4	31466	1" TRI-GLIDE BLACK PLAS UN5000	EA	2
5	417	END EYES 7/8 INCH	EA	4
6	418	JAW SLIDES 7/8 INCH	EA	2
7	14535	SLIDE TRACK	EA	2
8	422	END CAP GUIDES	EA	4
9	424	SLIDER ASSEMBLY	EA	1
10	2379	J-TRACK 1-1/8" 12' UN144	FT	4
11	53020	CAMPER COVER	EA	1
*	53021	W/S COVER	EA	1
*	53022	BRIDGE COVER	EA	1
		MISC. HARDWARE		
*	50037	CANVAS - DREAM WHITE	LY	
*	81	X2-10128 DUR FAS BUT	C	
*	82	XB-10224 DUR FAS SKT	C	
*	83	BS-10370 DUR FAS STD	C	
*	84	BS-10412 DUR FAS EYE	C	
12	11563	SMALL BASE CANVAS SNAP	C	
*	88	BS-78403 COM SEN EYE	C	
*	89	BS-78505 COM SEN WASH	C	
*	90	XB-78322 COM SEN 2 HL STD	C	
*	4330	WHITE VELCRO HOOK	FT	
*	4331	WHITE VELCRO LOOP	FT	
* NOT SHOWN				
<p>NO LONGER AVAILABLE PLEASE CONTACT: LETA'S TOP SHOP (360) 435-3067....OR WWW.LETASTOPSHOP.COM</p>				
<p>DRAWING ON FOLLOWING PAGE</p>				



ITEM NO.	PART NUMBER	PART DESCRIPTION	U/M	QTY.
SHIFTER & CONTROL CABLE				
*	9025	SHIFTER LBL-PORT THROT/STBD. SHFT.	EA	2
*	35571	SHIFTER THROTTLE KIT DUAL STATION	EA	1
STEERING SYSTEM				
*	16077	16" WHEEL 3/4 TAPER 10 DEG UN5	EA	2
*	11958	STEERING HELM ASSY	EA	2
*	11959	90 DEG BEZEL KIT	EA	2
*	11960	20 DEG BEZEL KIT	EA	1
ENGINE FUEL SYSTEM				
*	11992	FUEL FILL CHROME BRASS UN25	EA	1
*	625	1-1/2FUEL FILL,1 1/2"-50/RL	FT	9
*	9541	TANK FUEL 102 GL-ST/FL	EA	1
*	623	HOSE,FUEL VENT,5/8"-250/RL	FT	10
*	1703	GAS TANK VENT UN 100	EA	1
*	32219	GAS FUEL WARNING LABEL-I/O & INBRD	EA	1
ENGINE VENT SYSTEM				
*	53054	LOUVER-DREAM WHITE	EA	2
*	4486	STBD PUNCHABLE COLLECTOR	EA	1
*	4492-A	4" OVAL FLANGE	EA	1
*	7-322-3	FLANGE 3" WHITE PLASTIC (MIN500)	EA	1
*	279	HOSE VENT 4" UN-50'	FT	8
*	37208	4" BLOWER UN24	EA	1
*	322	HOSE VENT 3" UN-50'	FT	8
D3.6L BRAVO II				
	51587	PANEL ASSY, LOWER	EA	1
LOWER GAUGE PANEL				
*	14803	FUEL LEVEL	EA	1
LOWER SWITCH PANEL				
*	3533	13/16 BLK DASH PLUG	EA	1
*	10893	SWITCH-SPST OFF-ON	EA	7
*	10894	SWITCH SPST-OFF(ON) (HORN)	EA	1
*	10895	SWITCH DPDT-16A ON-OFF-ON	EA	1
*	32405	SWITCH SPDT-(ON)OFF(ON)	EA	2
*	50126-A	PANEL BLANK SWITCH FL DIESEL	EA	1
	51586	PANEL ASSY, UPPER DASH		
UPPER SWITCH PANEL				
*	3533	13/16 BLK DASH PLUG	EA	1
*	10893	SWITCH-SPST OFF-ON	EA	7
*	10894	SWITCH SPST-OFF(ON) (HORN)	EA	1
*	10895	SWITCH DPDT-16A ON-OFF-ON	EA	1
*	32405	SWITCH SPDT-(ON)OFF(ON)	EA	2
*	50126-A	PANEL BLANK SWITCH FL DIESEL	EA	1
*	NOT SHOWN			

ITEM NO.	PART NUMBER	PART DESCRIPTION	U/M	QTY.
ENGINE SYSTEMS				
*	35495	219CI DIESEL W/BRAVO II STERN DRIVE	EA	1
*	51728	18-1/4 X 19 PROP	EA	1
SHIFTER AND CONTROL CABLES				
*	53545	SHIFT/THROT W/NEUTRAL SAFETY SWITCH	EA	1
*	53546	SHIFT/THROT W/O NEUTRAL SAFETY SWTCH	EA	1
*	1427	25' SUPREME CABLE	EA	1
*	1425	23' SUPREME CABLE	EA	1
*	1424	22' SUPREME CABLE	EA	1
*	1422	20' SUPREME CABLE	EA	1
*	14693	MERC CABLE CONNECTOR KIT	KT	2
STEERING SYSTEM				
*	11954	21' (RX-4) STR CABLE	EA	2
*	34093	DUAL STATION STEERING KIT	EA	1
ENGINE FUEL SYSTEM				
*	51647	83 GALLON TANK (DIESEL)	EA	1
*	11994	DIESEL FILL CHROME BRASS	EA	1
*	624	FUEL FEED HOSE, 3/8"	FT	6
*	13370	RACOR 225R FUEL FILTER	EA	1
*	1743	BRS 1/4" FUEL SHUTOFF VALVE	EA	1
ENGINE WATER PICK-UP SYSTEM				
*	230	1-1/4" HARDWALL WATER HOSE	FT	4
*	39575	1-1/4" CLOSE BRASS NIPPLE	EA	1
*	35976	1-1/4" BALL VALVE	EA	1
*	1510	90 DEG TAIL PIECE	EA	1
*	13227	ENGINE PICK UP LABEL	EA	1
HULL INT LABELS				
*	14000	NMMA FUEL SYS INSP LABEL	EA	1
ELECTRICAL HARDWARE				
*	11141	BATTERY BOOT - SMALL	EA	1
*	3727	DUAL BATTERY BOOT	EA	1
DECK HARDWARE				
*	12776	1" SOUND BOARD	SF	40
*	12777	TAPE F/12776	RL	1
*	13469	WIND-LOCK PLATE	EA	8
C/B CONSOLE & INSTRUMENTS				
*	51741	SECOND STATION INSTRUMENT PANEL	EA	1
*	53271	METAL GAUGE BRACKET	EA	1

* NOT SHOWN

ITEM NO.	PART NUMBER	PART DESCRIPTION	U/M	QTY.
5.7L BRAVO II ENGINE OPTION				
BOAT ELECTRIC WIRING				
*	50128	PANEL ASSEMBLY, UPPER UPPER GAUGE PANEL	EA	1
1	50123	PANEL BLANK, INSTRUMENT	EA	1
2	14796-A	TACH, 4-6-8 CYL EURO	EA	1
3	14799	SPEEDOMETER 65 MPH	EA	1
4	14801	OIL PRESSURE (EURO II)	EA	1
5	14802	WATER TEMP (EURO II)	EA	1
6	14804	VOLTMETER (EURO II)	EA	1
7	14808	SMALL BLANK GAUGE	EA	1
SWITCH PANEL				
*	33407	ENGINE KILL SWITCH	EA	1
*	33407A	KILL SWITCH CAP AND CORD	EA	1
UPPER SWITCH PANEL				
8	50606	IGNITION SWITCH FOR SDI/O	EA	1
9	10893	SWITCH-SPST OFF-ON	EA	7
10	10894	SWITCH SPST-OFF(ON) (HORN)	EA	2
11	10895	SWITCH DPDT-16A ON-OFF-ON	EA	1
12	32405	SWITCH SPDT-(ON)OFF(ON)	EA	2
13	50125-A	PANEL BLANK SWITCH FL DIESEL	EA	1
*	50129	PANEL ASSY, LOWER	EA	1
LOWER GAUGE PANEL				
1	50123	PANEL BLANK, INSTRUMENT	EA	1
2	14796-A	TACH, 4-6-8 CYL EURO	EA	1
3	14799	SPEEDOMETER 65 MPH	EA	1
4	14801	OIL PRESSURE (EURO II)	EA	1
5	14802	WATER TEMP (EURO II)	EA	1
14	14803	FUEL LEVEL (EURO II)	EA	1
6	14804	VOLTMETER (EURO II)	EA	1
LOWER SWITCH PANEL				
8	50606	IGNITION SWITCH	EA	1
9	10893	SWITCH-SPST OFF-ON	EA	7
10	10894	SWITCH SPST-OFF(ON) (HORN)	EA	2
11	10895	SWITCH DPDT-16A ON-OFF-ON	EA	1
12	32405	SWITCH SPDT-(ON)OFF(ON)	EA	2
13	50126-A	PANEL BLANK SWITCH FL	EA	1
ENGINE SYSTEMS				
*	34101	5.7L MERC BRAVO II 2.0	EA	1
*	36617	RISER ELBOW KIT	EA	1
*	54201	3" EXHAUST RISER EXTENSION KIT	EA	1
*	13997	PERFECT SEAL #4 SEALING COMPOUND	PT	1
*	02504-1	OIL SENDER DUAL	EA	1
*	02031	TEMP SENDER DUAL 3/8 NPT	EA	1
*	51728	18-1/4" X 19 PROP	EA	1

* NOT SHOWN

REFER TO DRAWING ON PAGE 25.

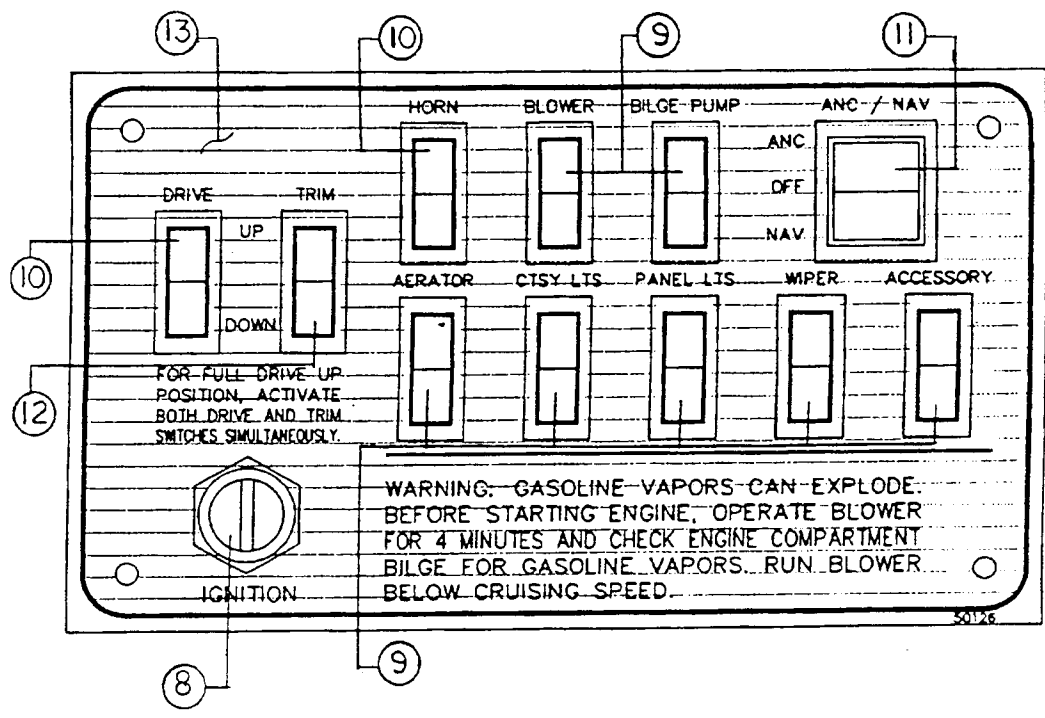
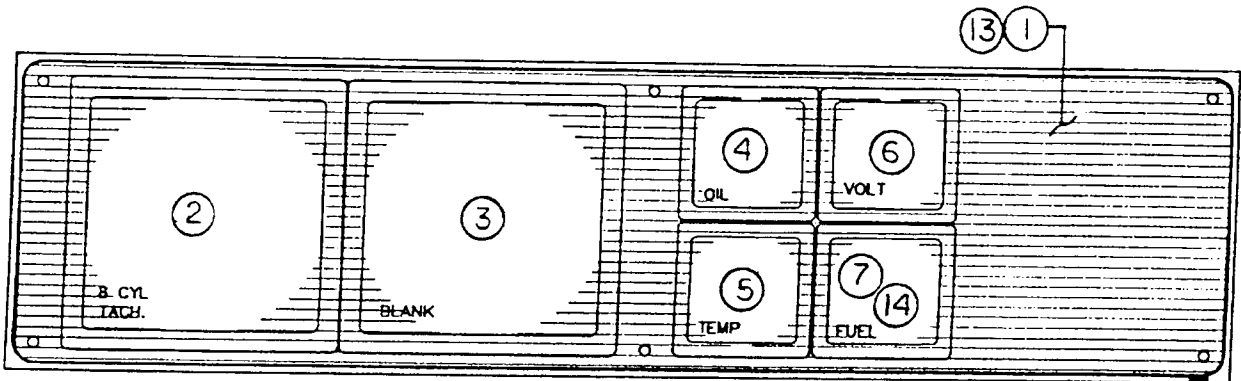
ITEM NO.	PART NUMBER	PART DESCRIPTION	U/M	QTY.
SHIFTER & CONTROL CABLE				
*	53545	SHIFT/THROT W/NEUTRAL SAFETY SWITCH	EA	1
*	53546	SHIFT/THROT W/O NEUTRAL SAFETY SWTCH	EA	1
*	1427	25' SUPREME CABLE	EA	1
*	1425	23' SUPREME CABLE	EA	1
*	1424	22' SUPREME CABLE	EA	1
*	1422	20' SUPREME CABLE	EA	1
*	14693	MERC CABLE CONNECTOR KIT	KT	2
STEERING SYSTEM				
*	11954	21' (RX-4) STR CABLE	EA	2
*	34093	DUAL STATION STEERING KIT	EA	1
ENGINE FUEL SYSTEM				
*	624	HOSE,FUEL FEED,3/8"-250'/RL	FT	3
*	694-EC	3/8BRB X 1/4MIP BRS M ADP	EA	1
7.4L BRAVO II				
BOAT ELECTRIC WIRING				
*	50128	PANEL ASSEMBLY, UPPER	EA	1
UPPER GAUGE PANEL				
1	50123	PANEL BLANK, INSTRUMENT	EA	1
2	14796-A	TACH, 4-6-8 CYL EURO	EA	1
3	14799	SPEEDOMETER 65 MPH	EA	1
4	14801	OIL PRESSURE (EURO II)	EA	1
5	14802	WATER TEMP (EURO II)	EA	1
6	14804	VOLTMETER (EURO II)	EA	1
7	14808	SMALL BLANK GAUGE	EA	1
SWITCH PANEL				
*	33407	ENGINE KILL SWITCH	EA	1
*	33407A	KILL SWITCH CAP AND CORD	EA	1
UPPER SWITCH PANEL				
8	50606	IGNITION SWITCH FOR SDI/O	EA	1
9	10893	SWITCH-SPST OFF-ON	EA	7
10	10894	SWITCH SPST-OFF(ON) (HORN)	EA	2
11	10895	SWITCH DPDT-16A ON-OFF-ON	EA	1
12	32405	SWITCH SPDT-(ON)OFF(ON)	EA	1
13	50125-A	PANEL BLANK SWITCH FL DIESEL	EA	1
*	50129	PANEL ASSY, LOWER	EA	1
LOWER GAUGE PANEL				
1	50123	PANEL BLANK, INSTRUMENT	EA	1
2	14796-A	TACH, 4-6-8 CYL EURO	EA	1
3	14799	SPEEDOMETER 65 MPH	EA	1
4	14801	OIL PRESSURE (EURO II)	EA	1
5	14802	WATER TEMP (EURO II)	EA	1
14	14803	FUEL LEVEL (EURO II)	EA	1
6	14804	VOLTMETER (EURO II)	EA	1

* NOT SHOWN

REFER TO DRAWING ON PAGE 25.

ITEM NO.	PART NUMBER	PART DESCRIPTION	U/M	QTY.
LOWER SWITCH PANEL				
*	50606	IGNITION SWITCH	EA	1
*	10893	SWITCH-SPST OFF-ON	EA	7
*	10894	SWITCH SPST-OFF(ON) (HORN)	EA	2
*	10895	SWITCH DPDT-16A ON-OFF-ON	EA	1
*	32405	SWITCH SPDT-(ON)OFF(ON)	EA	2
*	50126-A	PANEL BLANK SWITCH FL	EA	1
ENGINE SYSTEMS				
*	34100	300HP-MOD. 330 MERC BRAVO II ENG,SD	EA	1
*	36618	RISER INSTALLATION KIT	EA	1
*	39812	3" RISER KIT F/BRAVO I & II	EA	1
*	13997	PERFECT SEAL #4 SEALING COMPOUND	PT	1
*	34329	17 3/4 X 21 PROP RH	EA	1
*	02504-1	OIL SENDER DUAL	EA	1
*	02031	TEMP SENDER DUAL 3/8 NPT	EA	1
SHIFTER & CONTROL CABLE				
*	53545	SHIFT/THROT W/NEUTRAL SAFETY SWITCH	EA	1
*	53546	SHIFT/THROT W/O NEUTRAL SAFETY SWTCH	EA	1
*	1427	25' SUPREME CABLE	EA	1
*	1425	23' SUPREME CABLE	EA	1
*	1424	22' SUPREME CABLE	EA	1
*	1422	20' SUPREME CABLE	EA	1
*	14693	MERC CABLE CONNECTOR KIT	KT	2
STEERING SYSTEM				
*	11954	21' (RX-4) STR CABLE	EA	2
*	34903	DUAL STATION STEERING KIT	EA	1
ENGINE FUEL SYSTEM				
*	624	HOSE,FUEL FEED,3/8"-250'/RL	FT	2
*	694-EC	3/8BRB X 1/4MIP BRS M ADP	EA	1
*	NOT SHOWN			

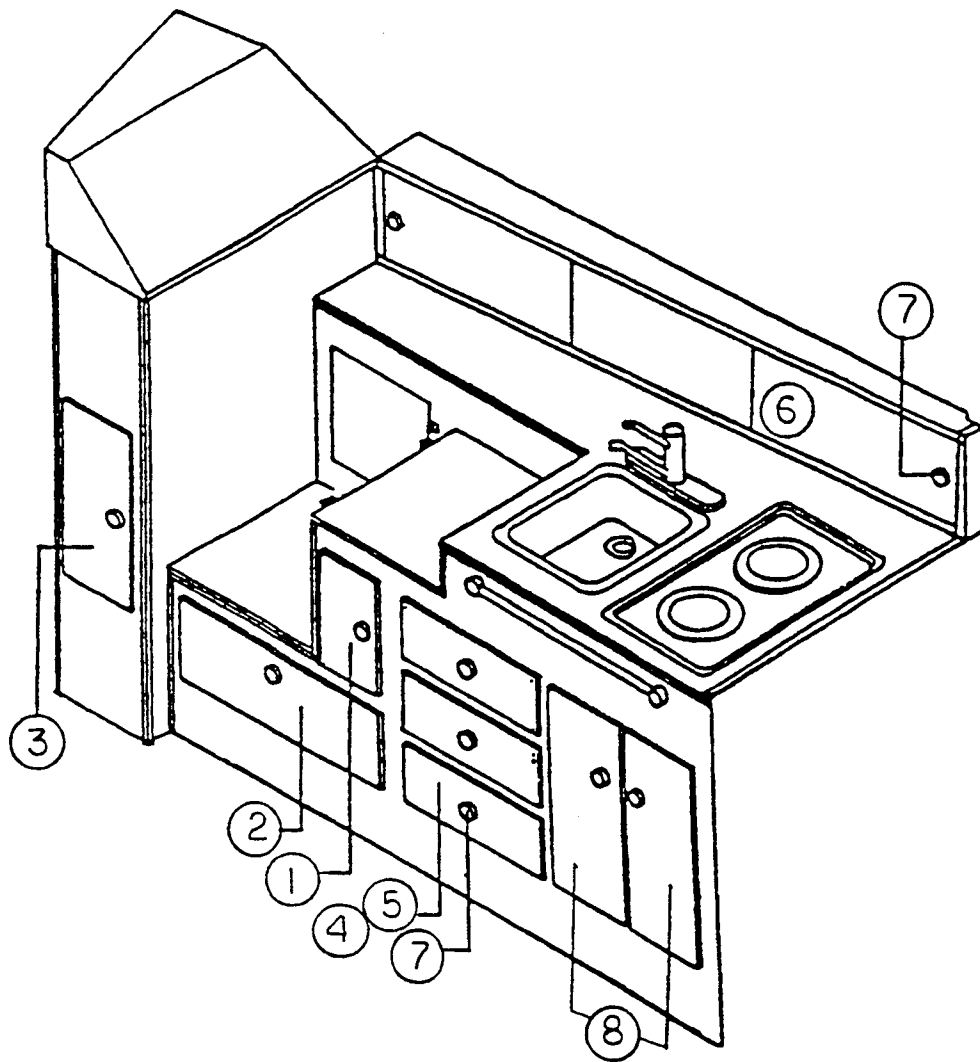
DRAWING ON FOLLOWING PAGE.



ITEM NO.	PART NUMBER	PART DESCRIPTION	U/M	QTY.
HEAD/SHOWER ASSEMBLY				
*	83460	HEAD DOOR	EA	1
*	53333	T-TRIM 11/16" WHITE SAND	FT	29
*	8046	#24 TEAK	FT	3
*	8052	#150 TEAK	FT	10
*	6271	ANTIQU BRASS HINGE-UN500	EA	2
*	6976	MIRROR 12X20X1/8	EA	1
*	6199	NYLATCH ROLL CATCH W/STKR (PK 250)	EA	1
*	930	RIM LATCH SET-NON KEYS UN10	EA	1
*	35734	LATCH SHIM BLK ABS W/ROVEL CAP	EA	1
*	3669	2X2 CHROME BUTT HINGE-MIN 100	EA	3
*	83461	LOWER VANITY DOOR	EA	1
*	51966	VANITY TRIM RING	EA	1
*	6172	ANTIQU BRASS HINGE	EA	2
*	1221	#10 NYLON WASHER	C	1
*	35842	RECESSED TP HOLDER	EA	1
*	31841	TOWEL ROD KIT-BEIGE	KT	1
*	36554	TOWEL ROD KIT - WHITE	EA	2
HANGING LOCKER ASSEMBLY				
*	53333	T-TRIM 11/16" WHITE SAND	FT	4
*	8046	#24 TEAK	FT	15
*	6059	1 5/16" DOWEL	LF	3
*	12385	UPPER SEA RAIL-TEAK	FT	10
*	12806-6-20	40"X8" TEAK DOOR - HOLES 6" F/ENDS	EA	1
*	12228	CABNT HINGE W/BLK CAP-1006VZ-UN50	EA	2
*	12239	ANGLE BASEPLATE FOR 1006-VZ-UN50	EA	2
*	6199	NYLATCH ROLL CATCH W/STKR (PK 250)	EA	1
*	31577	BEIGE KNOB FOR CABINET DOORS	EA	1
*	#W1323-35	CLOSET POLE SOCKETS-MIN500	ST	1
*	12806-6-26	18.125 X 38.5" TEAK DOOR	EA	1
GALLEY ASSEMBLY				
1	12806-3-9	10.5X9.5 TEAK DOOR-HOLES 3" F/ENDS	EA	1
2	12806-6-16	10X25.75 TEAK DOOR-HOLES 6" F/ENDS	EA	1
*	12806-3-10	18.5X8.5 TEAK DOOR-HOLES 3" F/ENDS	EA	1
*	8051	#114 TEAK	FT	9
3	12806-0-34	6.5" X 17" TEAK DRAWER FACE	EA	3
*	12228	CABNT HINGE W/BLK CAP-1006VZ-UN50	EA	10
*	12239	ANGLE BASEPLATE FOR 1006-VZ-UN50	EA	10
*	6199	NYLATCH ROLL CATCH W/STKR (PK 250)	EA	8
4	12806-0-34	6.5 X 17 TEAK DRAWER FACE	EA	3
5	8064	GALLEY DRAWER	EA	3
6	81452	SPICE CABINET SLIDER DOOR	EA	2
7	31577	BEIGE KNOB FOR CABINET DOORS	EA	8
8	12806-3-12	22X9.5 TEAK DOOR-HOLES 3" F/ENDS	EA	2
*	12385	UPPER SEA RAIL-TEAK	FT	8
*	8047	#26 TEAK	FT	8
*	36276	1/2" WHITE E-LAM PLYWOOD	SF	30

* NOT SHOWN

DRAWING ON FOLLOWING PAGE



ITEM NO.	PART NUMBER	PART DESCRIPTION	U/M	QTY.
EXT DOOR/BULKHEAD ASSY				
1	53732	ALUM BULKHEAD DOOR	EA	1
2	53732-20	LOWER DOOR GLASS	EA	1
3	53732-21	UPPER DOOR GLASS	EA	1
*	9109	YACHT FRONT PANEL VINYL	FT	14
*	52850	5/16 ROUND BUTYL	FT	14
*	36266	AFT BULKHEAD HINGE, 40" S/S	EA	1
4	53787	DOOR LOCK KIT	EA	1
*	53954	3.0" S/S HINGE	EA	3
5	53655	AFT ALUM BULKHEAD	EA	1
*	35903	D-SHAPED SCREW COVER	EA	1
*	53955	HINGE BLOCK	EA	3
*	53956	STRIKE PLATE BLOCK	EA	1
*	39642	CATCH BLOCK	EA	1
*	39620	2-3/4" CABINET HATCH	EA	1
*	38013	DOOR STOP 1"	EA	1
6	53655-20	BULKHEAD GLASS, STBD LOWER	EA	1
7	53655-21	BULKHEAD GLASS, STBD UPPER	EA	1
8	53655-22	BULKHEAD GLASS, PORT LOWER	EA	1
9	53655-23	BULKHEAD GLASS, PORT UPPER	EA	1
*	9109	YACHT FRONT PANEL VINYL	FT	31
*	9415	FOAM EXTRUSION W/BUTYL	RL	1
WOOD FOR DOOR MISC.				
10	12806-0-35	22.125X25.625 TEAK PANEL	EA	1
*	334	HINGE FLAT 3/4" AN5024	EA	1
11	11160	SMALL HATCH SUPPORT W/FOOT	EA	1
12	6976	MIRROR 12X20X1/8	EA	1
MISC WOOD SHOP ASSY'S				
*	8046	#24 TEAK	FT	6
*	7249	1/4" RND BAR SATIN T5 11'	FT	5
*	8044	#11 TEAK	FT	10
*	8052	#150 TEAK	FT	18
*	50043-H	LAMINATE-BLUE NEBULA CTG	SF	3
*	1763	6/4 X 6" & WDR X 6" & LGR TEAK BOARDS	BF	1
* NOT SHOWN				

ITEM NO.	PART NUMBER	PART DESCRIPTION	U/M	QTY.
		HULL HOSE & FITTINGS		
*	1272	HOSE-3/4" ID X 1" OD	FT	15
		BILGE PUMP SYSTEM - AFT		
*	12528	AUTO FLOAT SWITCH UN24	EA	1
*	52126	BILGE PUMP-1100GPH UN12	EA	1
*	1691	HOSE,BILGE,1 1/8"- 250'/REEL	FT	7
*	8562	THRU HULL,PLASTIC 1 1/8" UN50	EA	1
		FRESH WATER SYSTEM		
*	11993	WATER FILL CHROME BRASS UN25	EA	1
*	1300	DRAIN HOSE 1.5" WHITE VINYL-100'	FT	10
*	13192	1.5" 90D NYLON MALE ADAPTER	EA	1
*	9542	35 GAL WATER TANK-ST/FL	EA	1
*	4P-MP-IN9E	1/2 90D PL IN M ADP	EA	1
*	1271	HOSE WATER 9/16" CLR 200'	FT	10
*	1703	GAS TANK VENT UN 100	EA	1
*	34071	5/8 PLYBUTYLENE PIPE	FT	64
*	51896	STRAIGHT FEMALE ADAPTER	EA	6
*	50912	1/2 FL X 1/2 MPT 90DEGREE ELBOW	EA	2
*	50911	1/2 X 1/2 FL 90 DEG ELBOW	EA	2
*	50915	1/2 X 1/2 X 1/2 FL TEE	EA	5
*	1307	1/2" CHECK VALVE UN1000	EA	1
*	51074	1/2" DRAIN CAP	EA	2
*	39974	FRESH WATER PUMP W/FILTER	ST	1
*	54379	WATER HEATER-6 GAL	EA	1
*	2840	1/4" ID POLY TUBING	FT	2
*	3183	LOOM CLAMP-3/8" PLASTIC	EA	2
*	39057	HOT WATER WARNING LABEL	EA	1
*	1179	WATER PUMP LABEL	EA	1
*	7330	BACKING PLATE-ALUM SWITCH	EA	1
*	2000	ILUM ROCKER SWITCH	EA	1
*	53278	COMBO MIXER FAUCET/SPRAY	EA	1
*	53280	WALL BRACKET F/3280	EA	1
*	53278	COMBO MIXER FAUCET/SPRAY	EA	1
*	13120	POTABLE WATER WARNING LABEL	EA	1

* NOT SHOWN

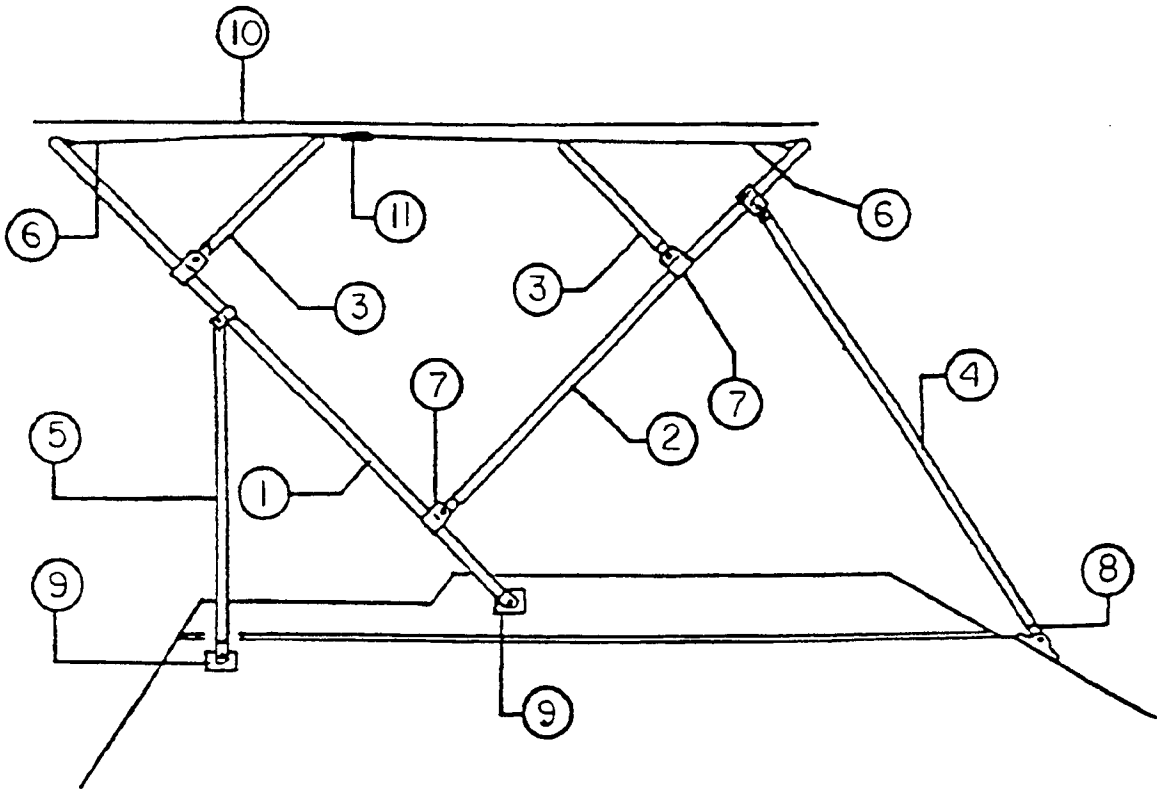
ITEM NO.	PART NUMBER	PART DESCRIPTION	U/M	QTY.
MARINE HEAD SYSTEM-AFT				
*	411	3" RND STRAINER PK25	EA	1
*	14486	3/4" BRZN THRU HULL CONN UN25	EA	1
*	14791	3/4" SEACOCK	EA	1
*	31229	3/4" BRBX3/4" MIPT W/1.5" BARB	EA	1
*	1115	SFTWL H2O HOSE 3/4"—400'/RL	FT	10
*	1394	MARINE HEAD	EA	1
*	13706	1-1/2" SANITATION HOSE-50'/RL	FT	17
*	3915-B	WATER/HOLDING TANK-13 GAL	EA	1
*	562-11	MACH J-BOLT 1/4 X 11"	EA	2
*	2816-1	CHROME EYE STRAP	EA	2
*	4P-MP-IN9E	1/2 90D PL IN M ADP	EA	1
*	1271	HOSE WATER 9/16" CLR 200'	FT	4
*	1703	GAS TANK VENT UN 100	EA	1
*	13190	1.5" NYLON STRAIGHT MALE ADAPTER	EA	1
*	13192	1.5" 90D NYLON MALE ADAPTER	EA	1
*	13192	1.5" 90D NYLON MALE ADAPTER	EA	1
*	4278-A	MACERATOR PUMP W/BARB	EA	1
*	12791	1" SANITATION HOSE-50'/RL	FT	3
*	6637	THRU HULL PLAS 1" UN50	EA	1
*	11995	DECK WASTE FITTING BRASS UN25	EA	1
*	13229	HEAD PICK-UP LABEL	EA	1
SHOWER DRAIN SYSTEM-AFT				
*	8948	SHOWER PUMP DRAIN	EA	1
*	708	THRU HULL PLAS 3/4" UN100	EA	1
*	1272	HOSE-3/4" ID X 1" OD	FT	4
*	7087	3/4 IN X 1/2FIP 90D PL L	EA	1
*	6932	IN-LINE PUMP STRAINER	EA	1
*	1399	1/2" FEMALE COUPLING UN1000	EA	1
*	1306	1/2"X3/8" COUPLING UN1000	EA	1
*	6893	3.0 GPM SHOWER PUMP UN48	EA	1
*	1306	1/2"X3/8" COUPLING UN1000	EA	1
*	7087	3/4 IN X 1/2FIP 90D PL L	EA	1
*	1272	HOSE-3/4" ID X 1" OD	FT	4
*	5P-FP-IN9E	3/4 90D PL IN F ADP	EA	1
*	708	THRU HULL PLAS 3/4" UN100	EA	1
*	7330	BACKING PLATE-ALUM SWITCH	EA	1
*	2000	ILUM ROCKER SWITCH	EA	1
*	1180	SHOWER PUMP LABEL	EA	1

* NOT SHOWN

ITEM NO.	PART NUMBER	PART DESCRIPTION	U/M	QTY.
MIDSHIP BILGE PUMP SYS				
*	12528	AUTO FLOAT SWITCH UN24	EA	1
*	3421	500 GPH BILGE PUMP UN30	EA	1
*	1272	HOSE-3/4" ID X 1" OD	FT	8
*	5P-FP-IN9E	3/4 90D PL IN F ADP	EA	1
*	708	THRU HULL PLAS 3/4" UN100	EA	1
SINK DRAIN SYSTEM				
*	36337	13X15 S/S SK W/3 1/2 DRAIN 6/BX	EA	1
*	36339	3 1/2" WHITE PLAST DRAIN	EA	1
*	1300	DRAIN HOSE 1.5" WHITE VINYL-100'	FT	4
*	13193	ADAPTER,FEMALE,NYLON 1.5" 90 DEG	EA	1
*	709	THRUHULL PLAS 1.5" UN50	EA	1
*	39653	2" S/S SINK STRAINER	EA	1
*	4790-E	DRAIN ELBOW ONLY UN24	EA	1
*	4790-W	DRAIN WASHER UN500	EA	1
*	1272	HOSE-3/4" ID X 1" OD	FT	2
*	5P-FP-IN9E	3/4 90D PL IN F ADP	EA	1
*	708	THRU HULL PLAS 3/4" UN100	EA	1
DECK DRAIN SYSTEM				
*	8492	THRU-HULL,REV FLANGE 1 1/2" UN50	EA	4
*	13193	ADAPTER,FEMALE,NYLON 1.5" 90 DEG	EA	4
*	1300	DRAIN HOSE 1.5" WHITE VINYL-100'	FT	11
*	11394	T-HULL FITTING,1.5"W/SCUPPER UN50	EA	4
*	1372	THRU HULL 3/4 90 DEG EL UN48	EA	1
*	1115	SFTWL H2O HOSE 3/4"—400'/RL	FT	1
*	5P-FP-IN9E	3/4 90D PL IN F ADP	EA	1
*	708	THRU HULL PLAS 3/4" UN100	EA	1
COMMAND BRIDGE DRAIN				
*	1272	HOSE - 3/4" ID X 1" OD	FT	10
*	708	THRU HULL PLAS 3/4"	EA	2
*	NOT SHOWN			

ITEM NO.	PART NUMBER	PART DESCRIPTION	U/M	QTY.
AIR COND/HEAT 9000 BTU OPT				
BOAT ELEC WIRING				
*	274	POWER INLET 30AMP UN10	EA	1
*	36927	AIR CONDITIONER SYSTEM FL	KT	1
*	65 #5	3/4" HIGH SPEED PICKUP UN10	EA	1
*	5P-MP-IN9E	3/4 90D PL IN M ADP	EA	1
*	31229	3/4" BRBX3/4"MIPT W/1.5" BARB	EA	3
*	2754	3/4" SEA STRAINER UN1	EA	1
*	1115	SFTWL H2O HOSE 3/4"—400'RL	FT	5
*	1114	HOSE,WATER 5/8" SOFTWALL—500'RL	FT	20
*	10743	20 AMP BRKR RED HNDL	EA	1
*	10823	30 AMP DBL POLE BRKR-RED	EA	1
*	11516	WIRE JUMPER KIT-A/C OPT	EA	1
*	13228	AIR COND. WATER PICK-UP LABEL	EA	1
*	275	CORD W/RING 50'(30 AMP)	EA	1
BIMINI TOP OPTION				
CANVAS ASSEMBLY				
*	12056	BIMINI TOP BOW ASSY	ST	1
1	12056-A	AFT TOP BOW	EA	1
2	12056-B	FWD TOP BOW	EA	1
3	12056-C	CENTER BOW	EA	1
4	12056-E	FWD BOW BRACE	EA	1
5	12056-F	AFT BOW BRACE	EA	1
6	12056-1	TOP STRAP	EA	1
7	11817	TOP SLIDE/CAP ASSY-1"SS	EA	8
8	14296	ANGLED DECK HINGE/CAP ASSY-1" SS	EA	4
9	11819	DECK HINGE PLATE/CAP-1"SS 4-HOLE	EA	4
*	53058	TOP BOOT(DREAM WHITE)	EA	1
10	53059	BIMINI TOP (DREAM WHITE)	EA	1
11	31466	1" TRI-GLIDE BLACK PLAS UN5000	EA	1
*	12293	1" GRAY NYLON WEBBING	FT	3
SCREENS OPT				
*	11910	WINDOW SCREENS-FL	ST	1
WINDOW SCREEN ASSY				
*	13725	SCREEN TRACK-BLACK PVC 12'	FT	10
*	7005	SCREEN SPLINE .155	FT	15
*	9412	1/16X3/8X200' 2-SIDE	FT	33
*	928	SCRN 100X24 18X16.011	LF	6
*	11100	WINDOW KNOB-BLACK PLASTIC	EA	4
*	NOT SHOWN			

DRAWING ON FOLLOWING PAGE



NO LONGER AVAILABLE
PLEASE CONTACT:
LETA'S TOP SHOP
(360) 435-3067....OR
WWW.LETASTOPSHOP.COM

ITEM NO.	PART NUMBER	PART DESCRIPTION	U/M	QTY.
220V ELECTRICAL CONVERSION				
BOAT ELEC WIRING				
*	E39919	PANEL ASSY, 220 DOCKSIDE	EA	1
CIRCUIT BREAKER PANEL				
*	2883	5/8" DOMED HOLE PLUG	EA	2
*	10740	5 AMP BRKR RED HNDL	EA	1
*	10741	10 AMP BRKR RED HNDL	EA	3
*	11520	2 AMP BREAKER-RED	EA	1
*	11521	POLARITY LIGHT	EA	1
*	11527	BUSS BAR 3 1/2" 5 HOLE	EA	1
*	11531	6-32 X 1/4 PRH BLACK OX/SS	EA	9
*	12869	RIVET BLACK PLS #231-100841-01-20	EA	4
*	33732	BUSS BAR ASSY 20 PRONG	EA	1
*	35398	15 AMP DBL POLE BRKR RED	EA	1
*	39919	220 DOCKSIDE PANEL BLANK	EA	1
HULL INT ASSY HARDWARE				
*	34863	ALCHL ELCT STVE W/WOOD TOP 220V/50H	EA	1
*	34859	REFERIGERATOR 220V/50H	EA	1
ELECTRICAL HARDWARE				
*	34866	CORD W/RING 50'16AMP 220V/50HZ	EA	1
*	34865	POWER INLET 16AMP 220V/50H	EA	1
*	35034	LABEL 220 VAC 50HZ EXPORT	EA	1
*	232	BLANK PLATE UN20	EA	3
*	7090	WALL BOX	EA	1
FRESH WATER SYSTEM				
*	54472	WATER HEATER 6 GAL 220V	EA	1
*	NOTSHOWN			



ITEM NO.	PART NUMBER	PART DESCRIPTION	U/M	QTY.
MANUALS				
*	13374	MARINCO SHORE POWER HANDBOOK N/C	EA	1
*	53451	CIERA/TROPHY '93 OWNERS MANUAL	EA	1
*	52079	NAUTOLEX VINYL CARE AND CLEANING	EA	1
* NOT SHOWN				

